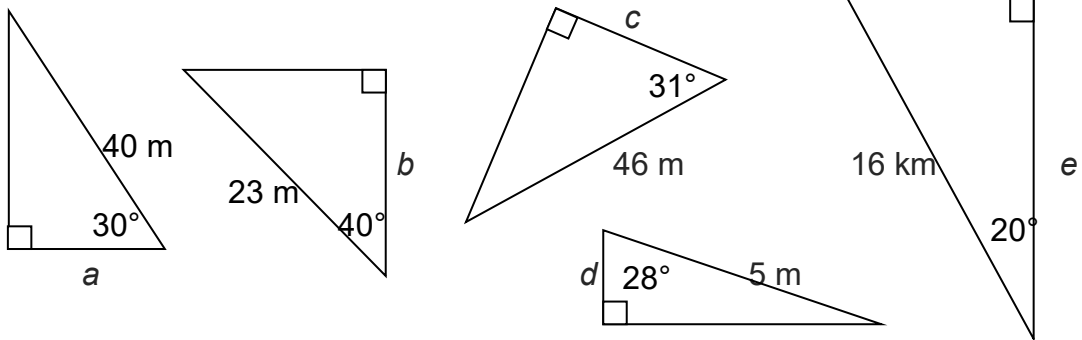


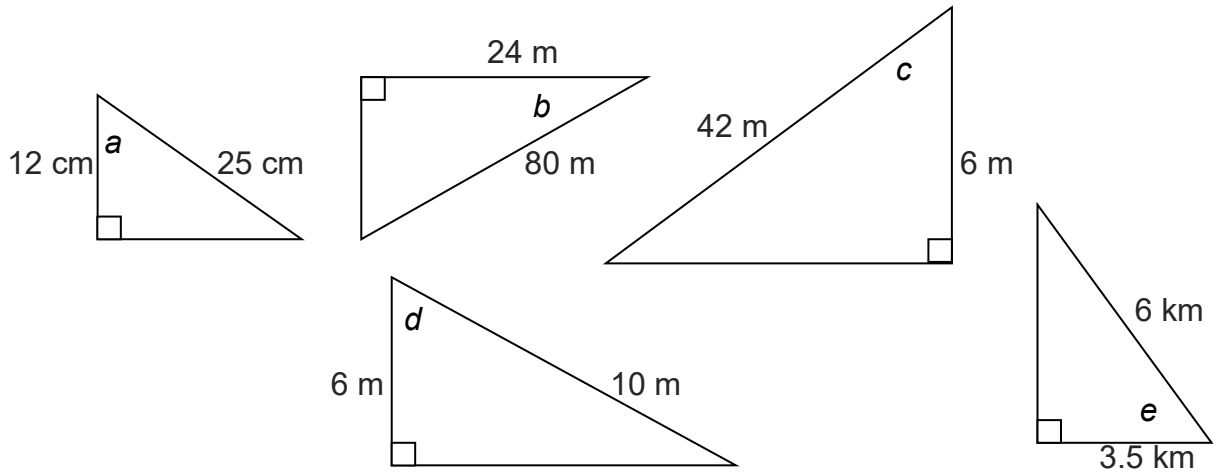
TRIGONOMETRY – COS RULE

SKILLS QUESTIONS

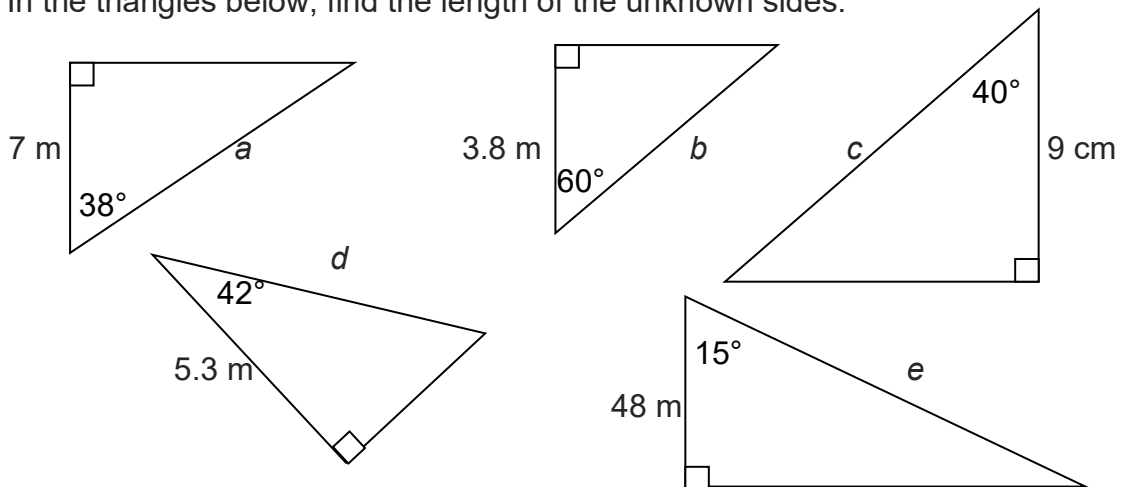
Q1. In the triangles below, calculate the length of the unknown sides.



Q2. In the triangles below, determine the size of the unknown angles.



Q3. In the triangles below, find the length of the unknown sides.



COS - ANSWERS

Q1. (a) 34.64 m

(b) 17.62 m

(c) 39.43 m

(d) 4.41 m

(e) 15.04 km

Q2. (a) 61.3°

(b) 72.5°

(c) 81.8°

(d) 53.1°

(e) 54.3°

Q3. (a) 8.88 m

(b) 7.6 m

(c) 11.75 cm

(d) 7.13 m

(e) 49.69 m